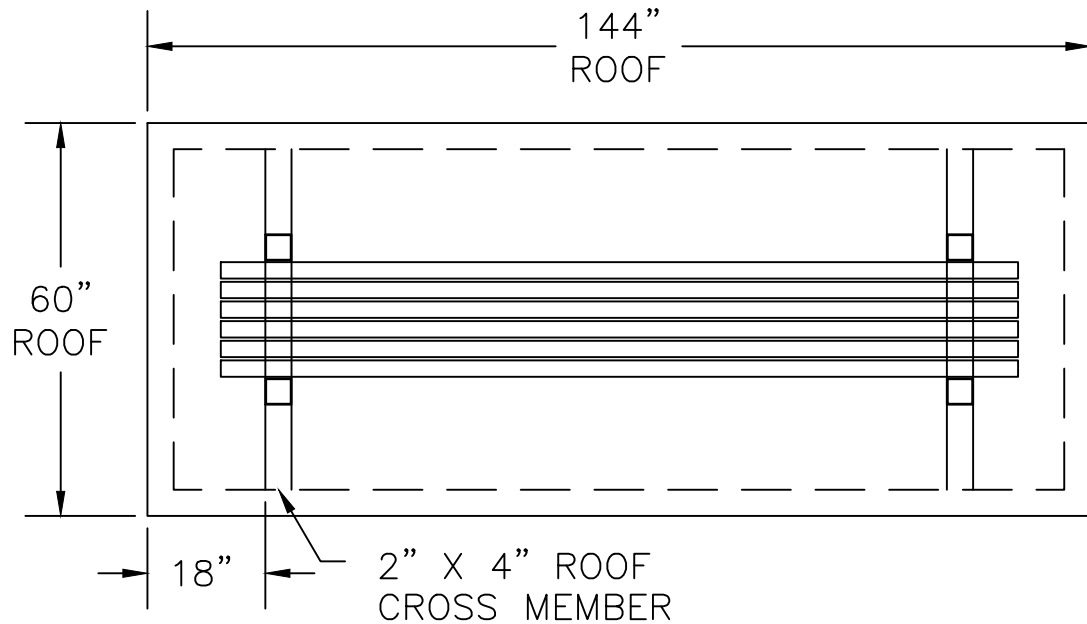
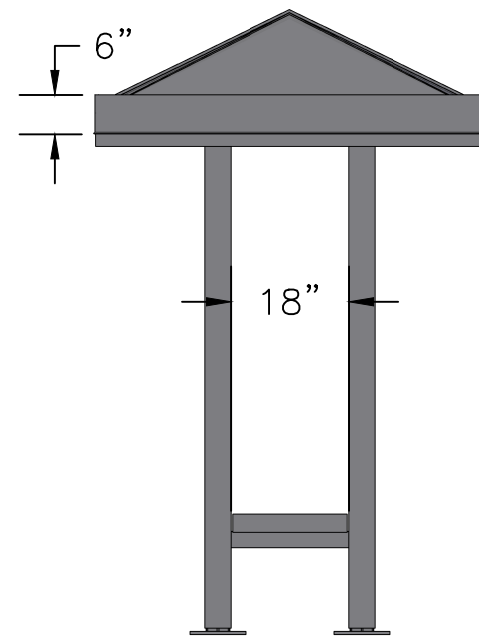
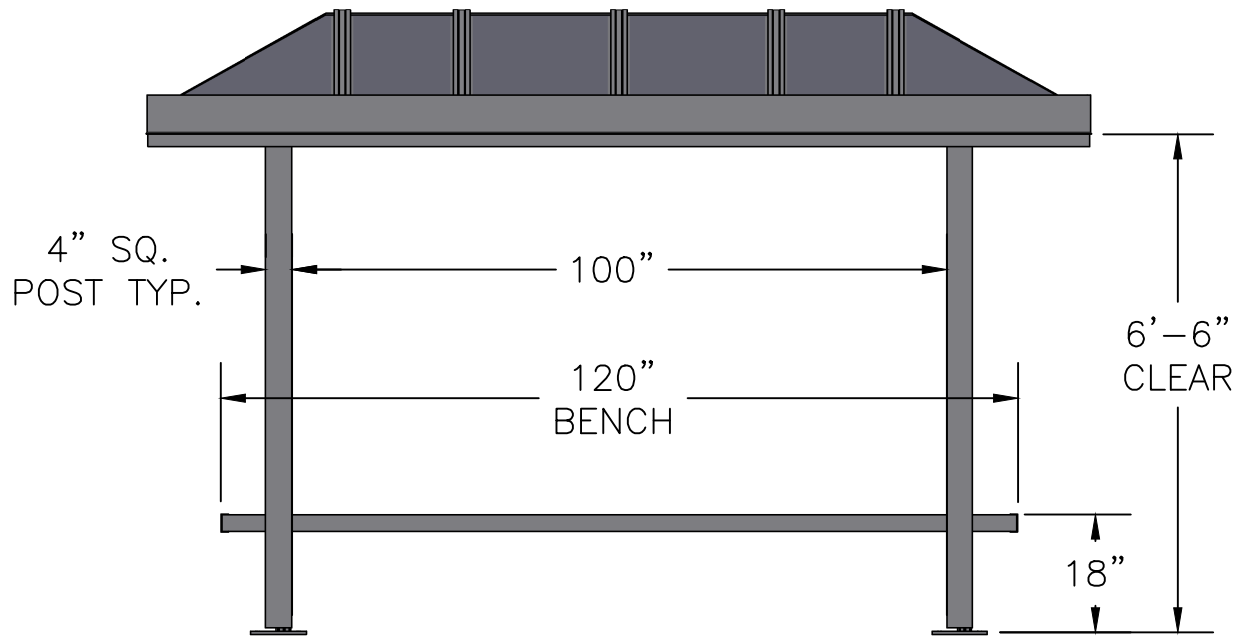


SCALE=1:20

MODEL BARRINGTON 7 ACCOMMODATES 5-7	
Handi-Hut [®]	3 Grunwald St. Clifton, NJ 07013
	Tel: 973-614-1800
	www.handi-hut.com



SCALE=1:35

MODEL BARRINGTON 7
ACCOMMODATES 5-7

12'-0" X 5'-0" POLY-HIP ROOF
PASSENGER/SMOKING SHELTER
OPEN ALL SIDES

ALUMINIUM: 6063-T52
AVAILABLE FINISHES: DARK BRONZE ANODIZED
CLEAR ANODIZED
CUSTOM COLOR POWDER-COAT
ROOF PANELS: 1/4" BRONZE OR WHITE TWIN WALL
POLYCARBONATE
BENCH: 2-1/2" SQ. ALUMINUM EXTRUSION

Handi-Hut®

3 Grunwald St. Clifton, NJ
07013
Tel: 973-614-1800
www.handi-hut.com