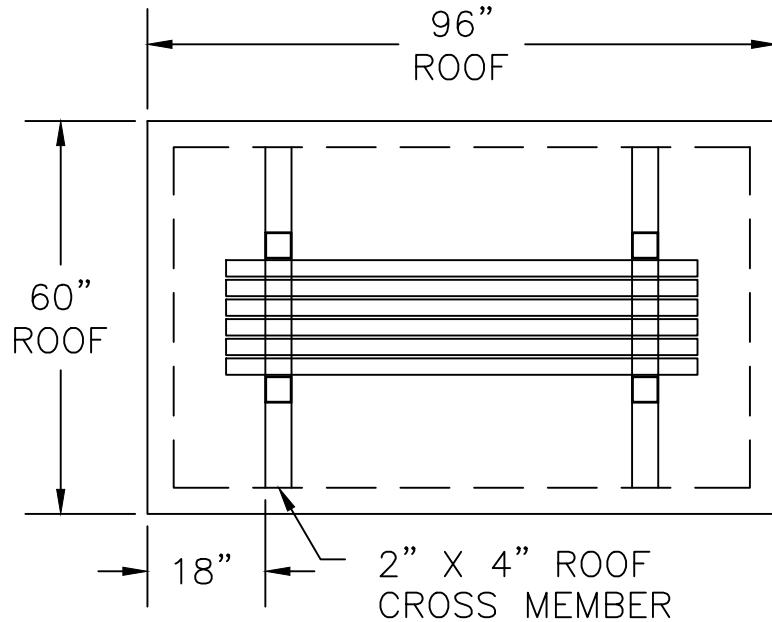
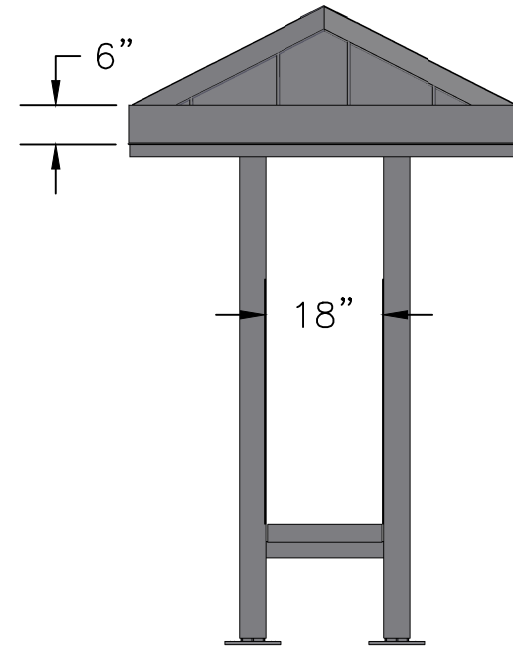
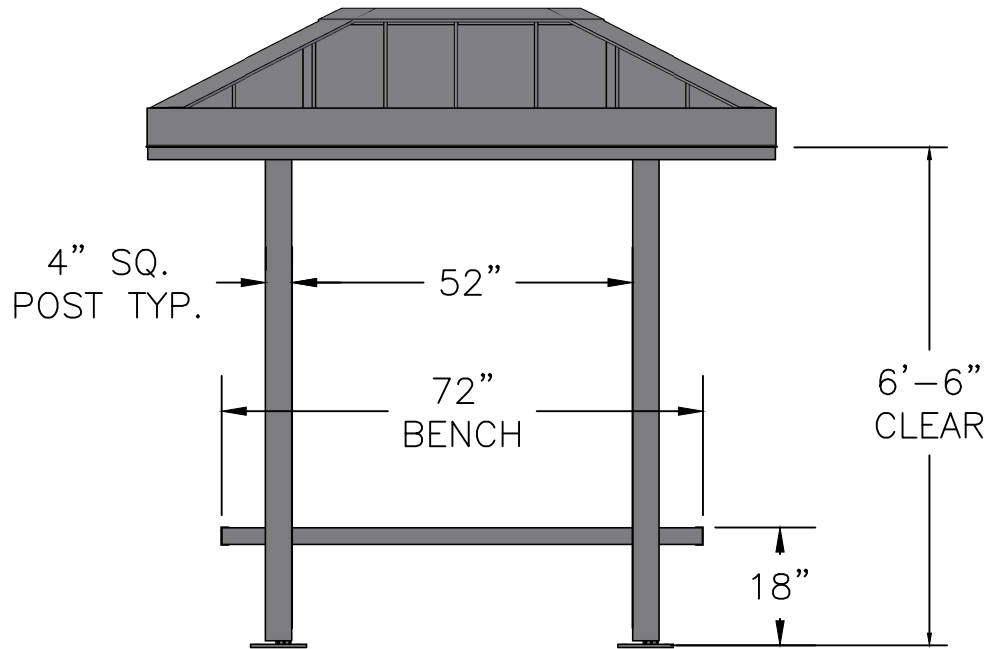


SCALE=1:20

MODEL BARRINGTON 5R
ACCOMMODATES 3-5

Handi-Hut[®]

3 Grunwald St. Clifton, NJ
07013
Tel: 973-614-1800
www.handi-hut.com



SCALE=1:35

MODEL BARRINGTON 5R
ACCOMMODATES 3-5

8'-0" X 5'-0" STANDING SEAM ROOF
PASSENGER/SMOKING SHELTER
OPEN ALL SIDES

ALUMINIUM: 6063-T52
AVAILABLE FINISHES: DARK BRONZE ANODIZED
CLEAR ANODIZED
CUSTOM COLOR POWDER-COAT
ROOF PANELS: 11" ATAS DUTCH SEAM DECKING
BLACK KYNAR FINISH
BENCH/BACKREST: EXTRUDED ALUMINIUM

Handi-Hut®

3 Grunwald St. Clifton, NJ
07013
Tel: 973-614-1800
www.handi-hut.com