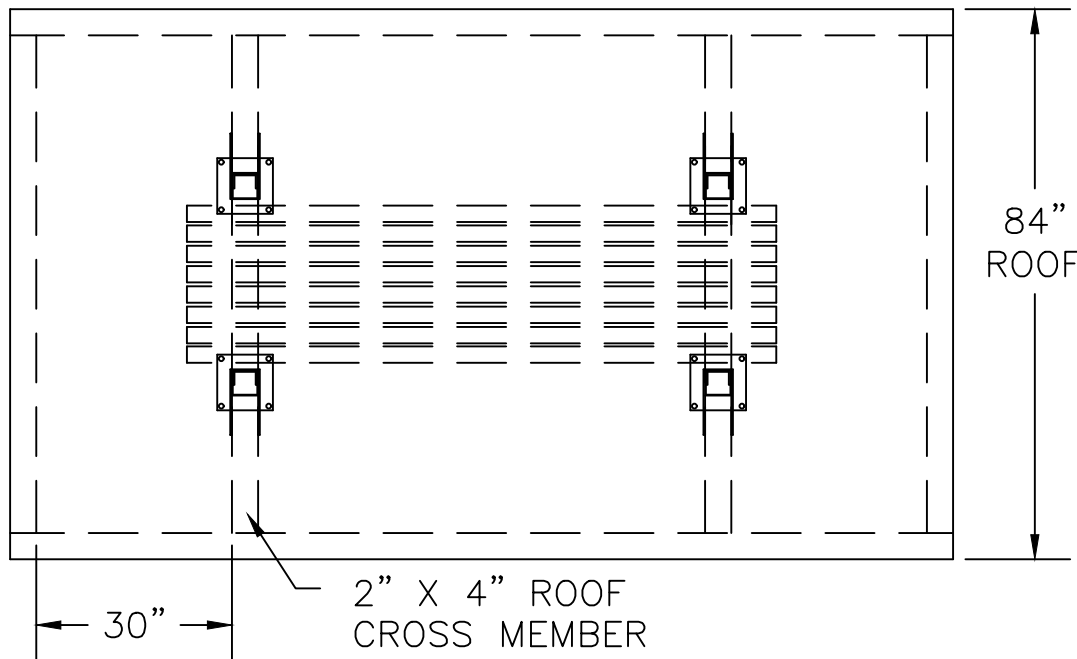
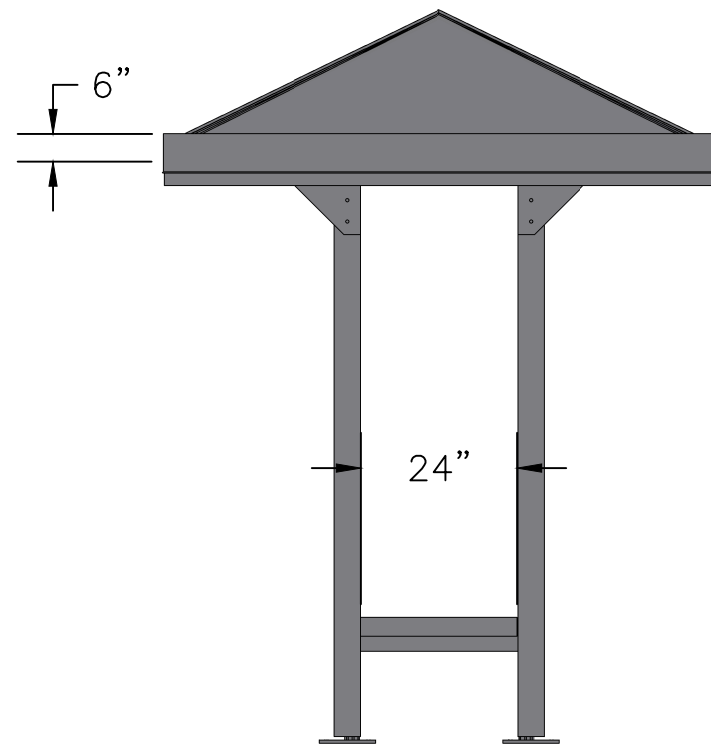
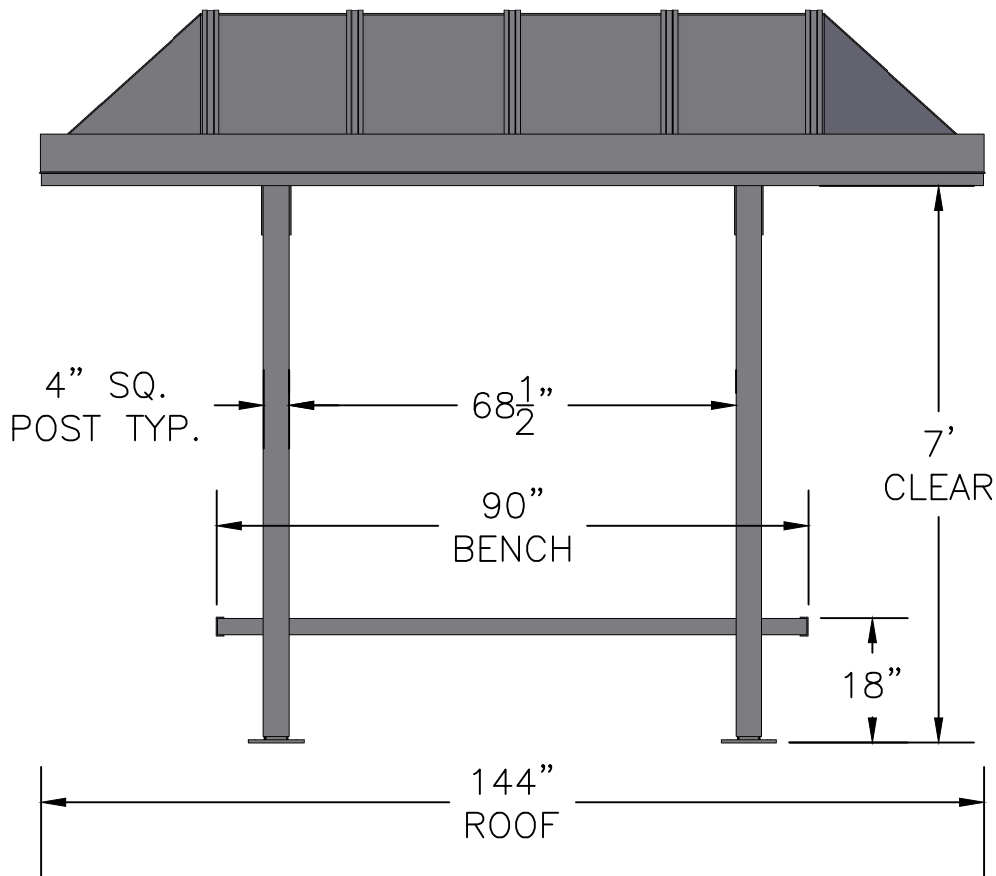


SCALE=1:22

MODEL BARRINGTON 10
ACCOMMODATES 8-10

Handi-Hut®

3 Grunwald St. Clifton, NJ
07013
Tel: 973-614-1800
www.handi-hut.com



SCALE=1:30

MODEL BARRINGTON 10
ACCOMMODATES 8-10

12'-0" X 7'-0" POLY-HIP ROOF
PASSENGER/SMOKING SHELTER
OPEN ALL SIDES

ALUMINIUM: 6063-T52
AVAILABLE FINISHES: DARK BRONZE ANODIZED
CLEAR ANODIZED
CUSTOM COLOR POWDER-COAT
GLAZING: 1/4" CLEAR TEMPERED GLASS
ROOF PANELS: 1/4" BRONZE OR WHITE TWIN WALL
POLYCARBONATE
BENCH/BACKREST: EXTRUDED ALUMINIUM

Handi-Hut[®]

3 Grunwald St. Clifton, NJ
07013
Tel: 973-614-1800
www.handi-hut.com