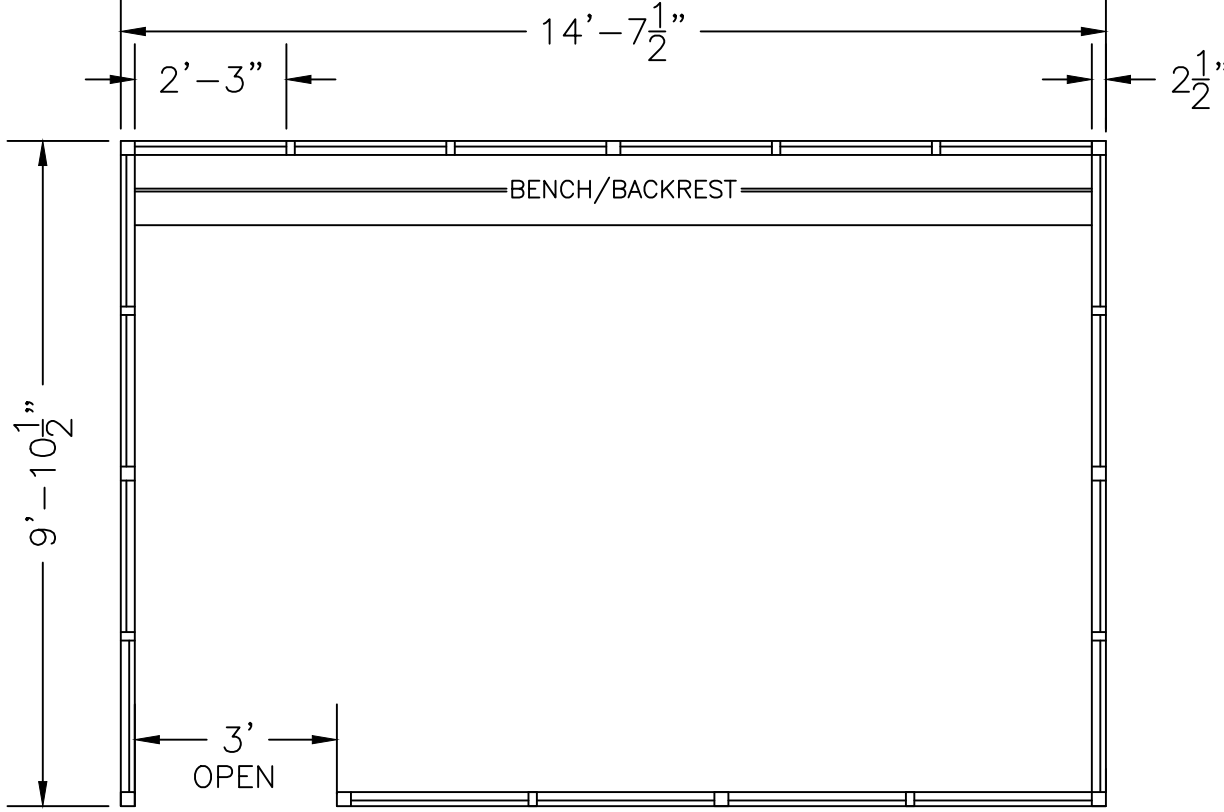
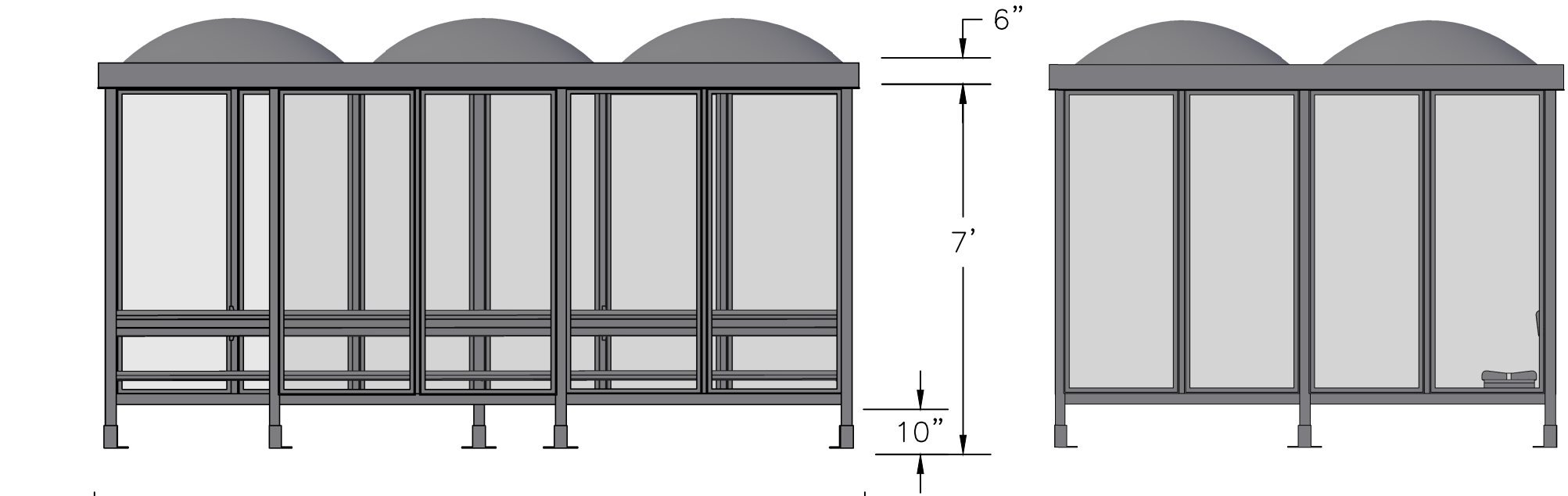


SCALE=1:25

MODEL #S6-4D
ACCOMMODATES 15-18

Handi-Hut®

3 Grunwald St. Clifton, NJ
07013
Tel: 973-614-1800
www.handi-hut.com



RECOMMENDED PAD SIZE-16'-6" X 12'-0" X 6" THICK MINIMUM

SCALE=1:35

<p>MODEL #S6-4D ACCOMMODATES 15-18</p>	
<p>14'-7 1/2" X 9'-10 1/2" DOME ROOF PASSENGER/SMOKING SHELTER FRONT LEFT OPENING</p>	
<p>ALUMINIUM: 6063-T52 AVAILABLE FINISHES: DARK BRONZE ANODIZED CLEAR ANODIZED CUSTOM COLOR POWDER-COAT</p>	
<p>GLAZING: 1/4" CLEAR TEMPERED GLASS ROOF PANELS: 1/4" WHITE TRANSLUCENT ACRYLIC BENCH/BACKREST: EXTRUDED ALUMINIUM</p>	
	<p>3 Grunwald St. Clifton, NJ 07013 Tel: 973-614-1800 www.handi-hut.com</p>