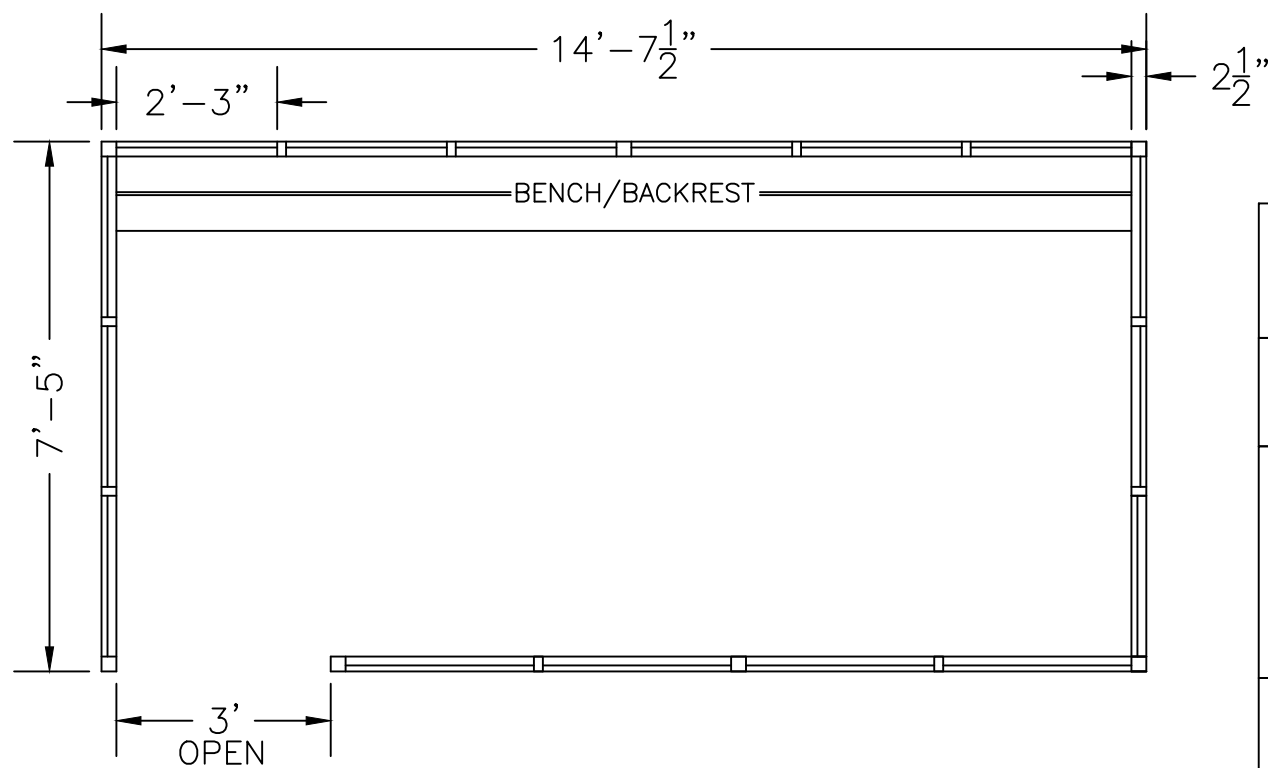
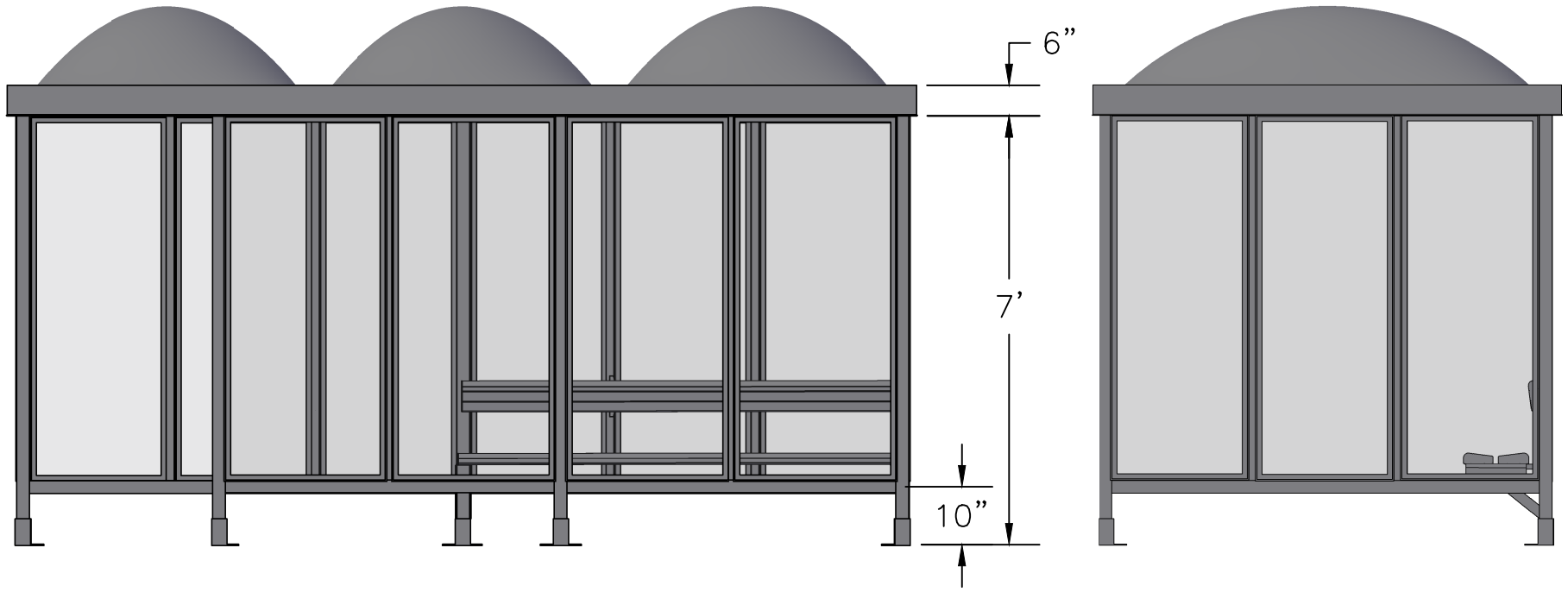


SCALE=1:25

MODEL #S6-3D
ACCOMMODATES 12-14

Handi-Hut®

3 Grunwald St. Clifton, NJ
07013
Tel: 973-614-1800
www.handi-hut.com



RECOMMENDED PAD SIZE—16'-6" X 9'-6" X 6" THICK MINIMUM

SCALE=1:33

<p>MODEL #S6-3D ACCOMMODATES 12-14</p>	
<p>14'-7 1/2" X 7'-5" DOME ROOF PASSENGER/SMOKING SHELTER FRONT LEFT OPENING</p>	
<p>ALUMINIUM: 6063-T52 AVAILABLE FINISHES: DARK BRONZE ANODIZED CLEAR ANODIZED CUSTOM COLOR POWDER-COAT</p>	
<p>GLAZING: 1/4" CLEAR TEMPERED GLASS ROOF PANELS: 1/4" WHITE TRANSLUCENT ACRYLIC BENCH/BACKREST: EXTRUDED ALUMINIUM</p>	
	<p>3 Grunwald St. Clifton, NJ 07013 Tel: 973-614-1800 www.handi-hut.com</p>