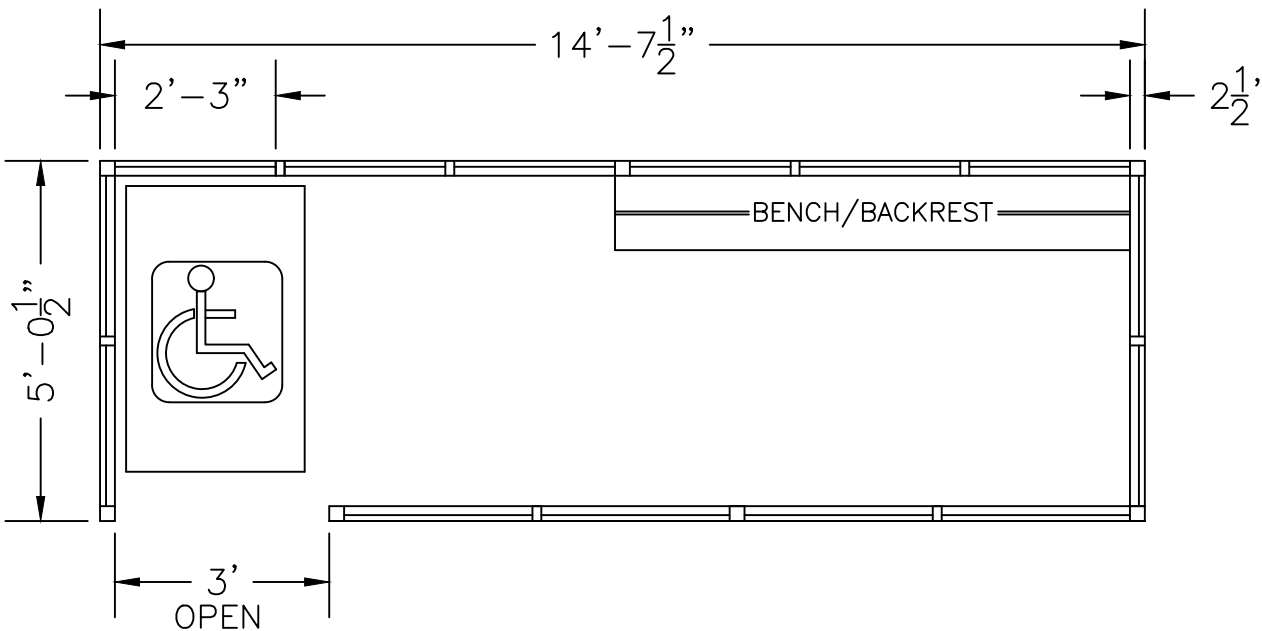
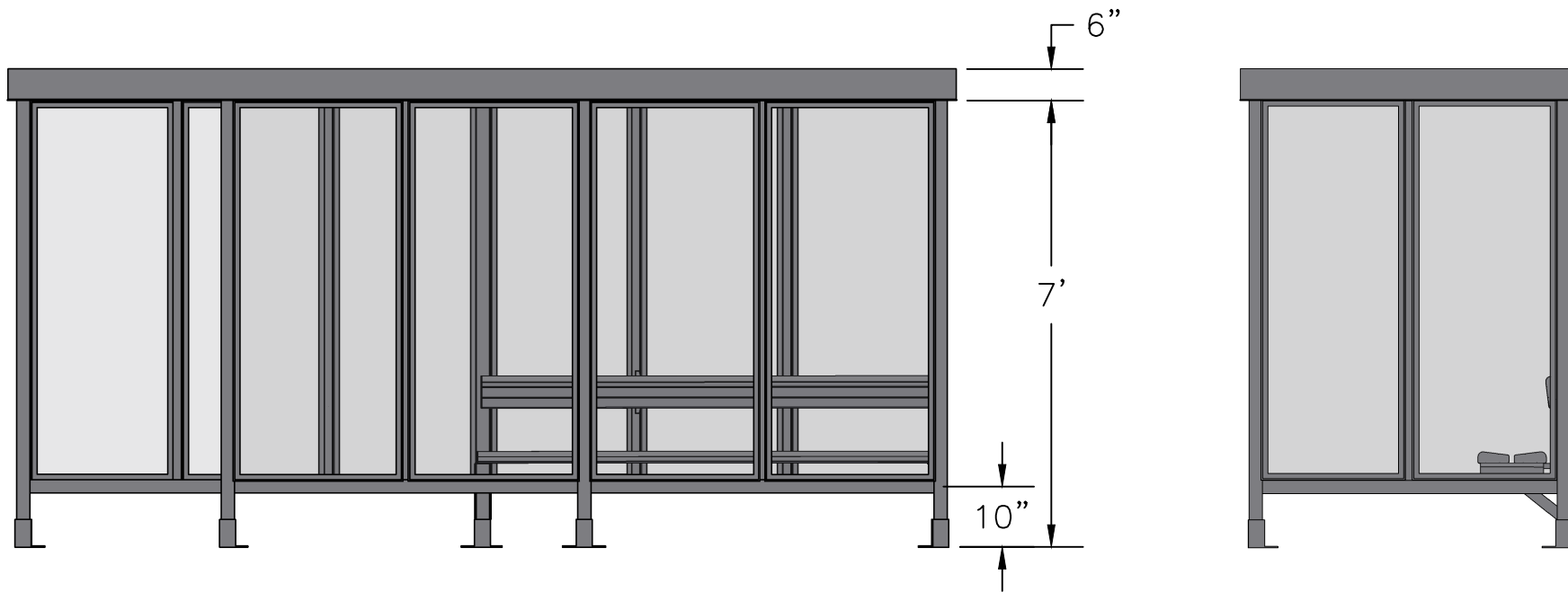


SCALE=1:25

MODEL #S6-2F  
ACCOMMODATES 8-9

**Handi-Hut®**

3 Grunwald St. Clifton, NJ  
07013  
Tel: 973-614-1800  
www.handi-hut.com



SCALE=1:33

MODEL #S6-2F  
ACCOMMODATES 8-9

14'-7 1/2" X 5'-0 1/2" FLAT ROOF  
PASSENGER/SMOKING SHELTER  
FRONT LEFT OPENING

ALUMINIUM: 6063-T52  
AVAILABLE FINISHES: DARK BRONZE ANODIZED  
CLEAR ANODIZED  
CUSTOM COLOR POWDER-COAT  
GLAZING: 1/4" CLEAR TEMPERED GLASS  
ROOF PANELS: 1/4" BLACK OR SILVER EMEDEX 300  
PANELS  
BENCH/BACKREST: EXTRUDED ALUMINIUM



3 Grunwald St. Clifton, NJ  
07013  
Tel: 973-614-1800  
www.handi-hut.com

RECOMMENDED PAD SIZE-16'-6" X 7'-0" X 6" THICK MINIMUM