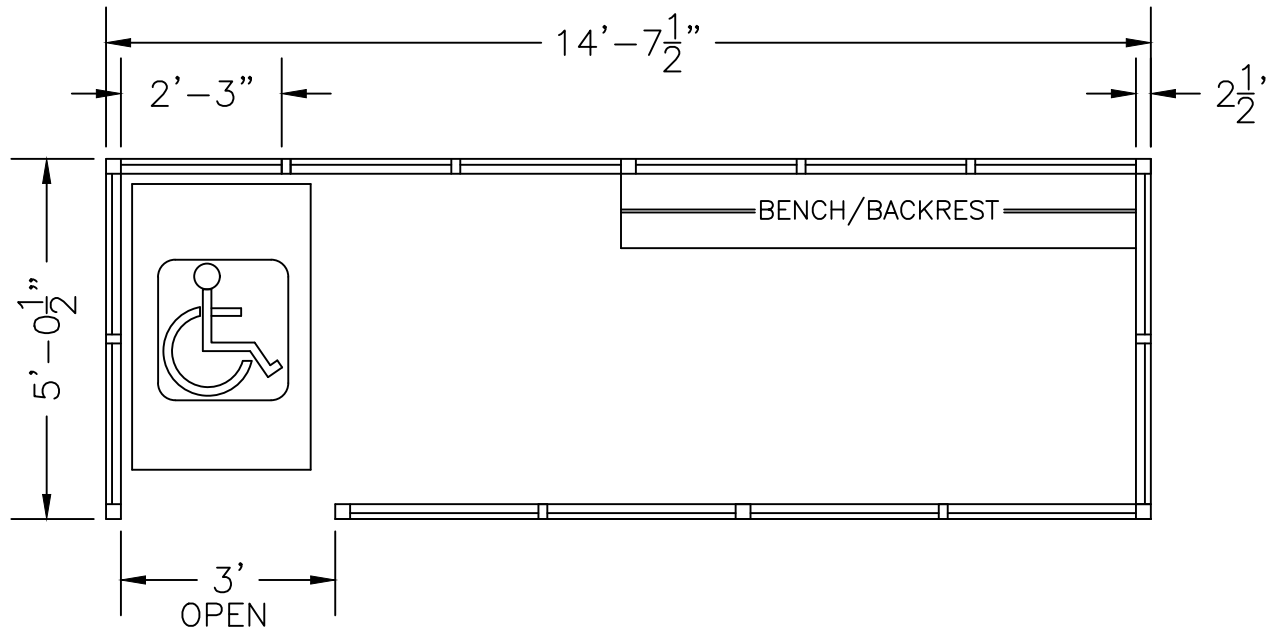
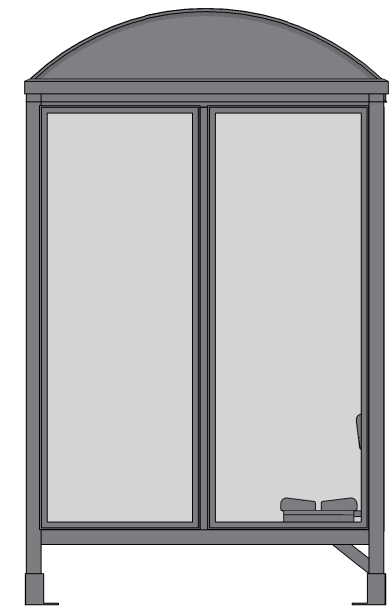
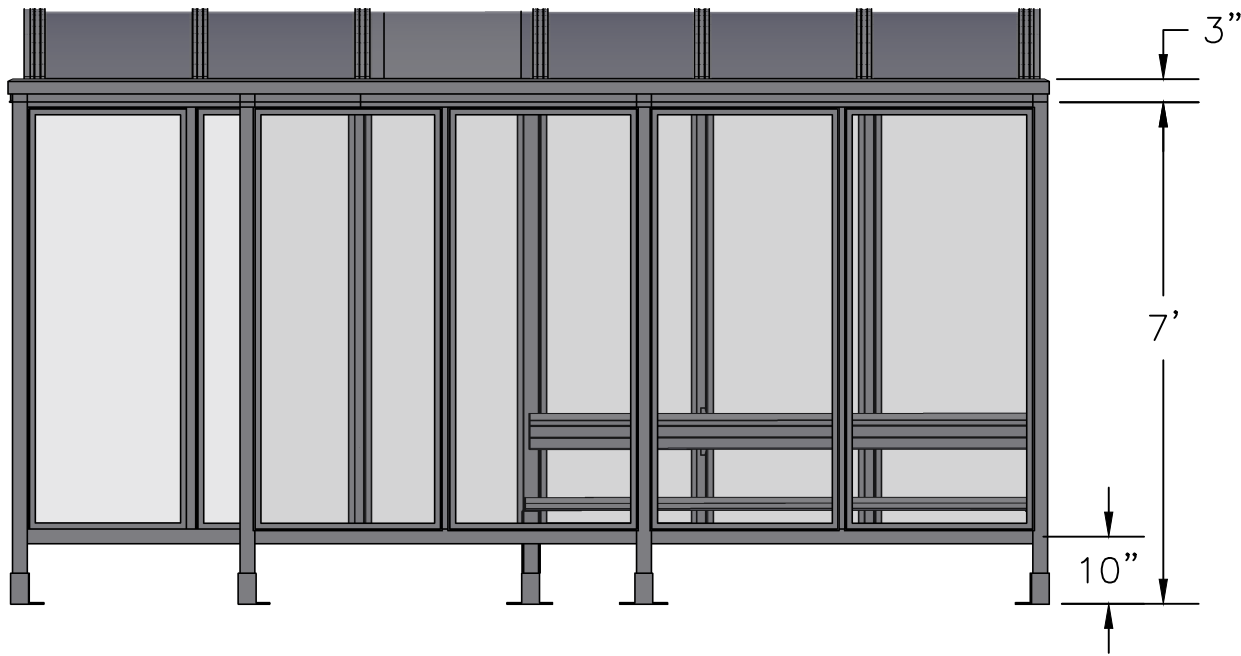


SCALE=1:25

MODEL #S6-2B
ACCOMMODATES 8-9

Handi-Hut[®]

3 Grunwald St. Clifton, NJ
07013
Tel: 973-614-1800
www.handi-hut.com



SCALE=1:33

MODEL #S6-2B
ACCOMMODATES 8-9

14'-7 1/2" X 5'-0 1/2" BARREL ROOF
PASSENGER/SMOKING SHELTER
FRONT LEFT OPENING

ALUMINIUM: 6063-T52
AVAILABLE FINISHES: DARK BRONZE ANODIZED
CLEAR ANODIZED
CUSTOM COLOR POWDER-COAT
GLAZING: 1/4" CLEAR TEMPERED GLASS
ROOF PANELS: 1/4" BRONZE OR CLEAR TWIN WALL
POLYCARBONATE
BENCH/BACKREST: EXTRUDED ALUMINIUM



3 Grunwald St. Clifton, NJ
07013
Tel: 973-614-1800
www.handi-hut.com

RECOMMENDED PAD SIZE-16'-6" X 7'-0" X 6" THICK MINIMUM