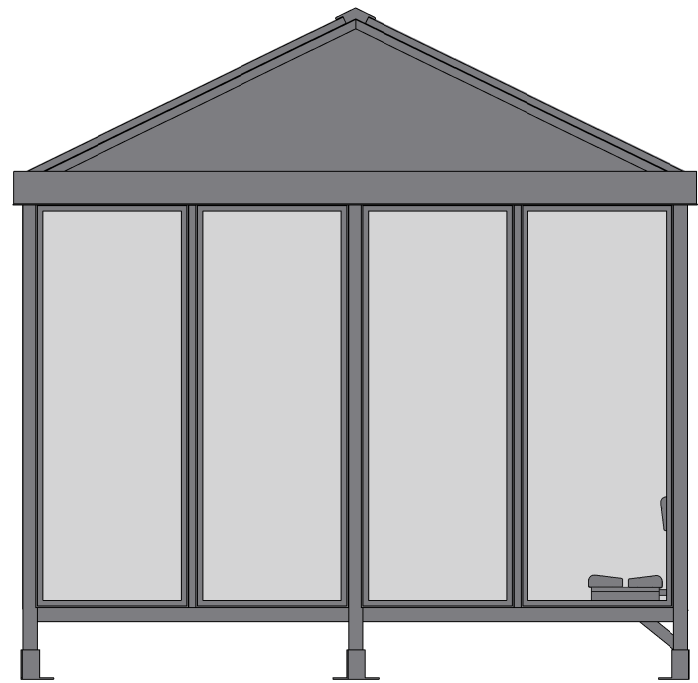
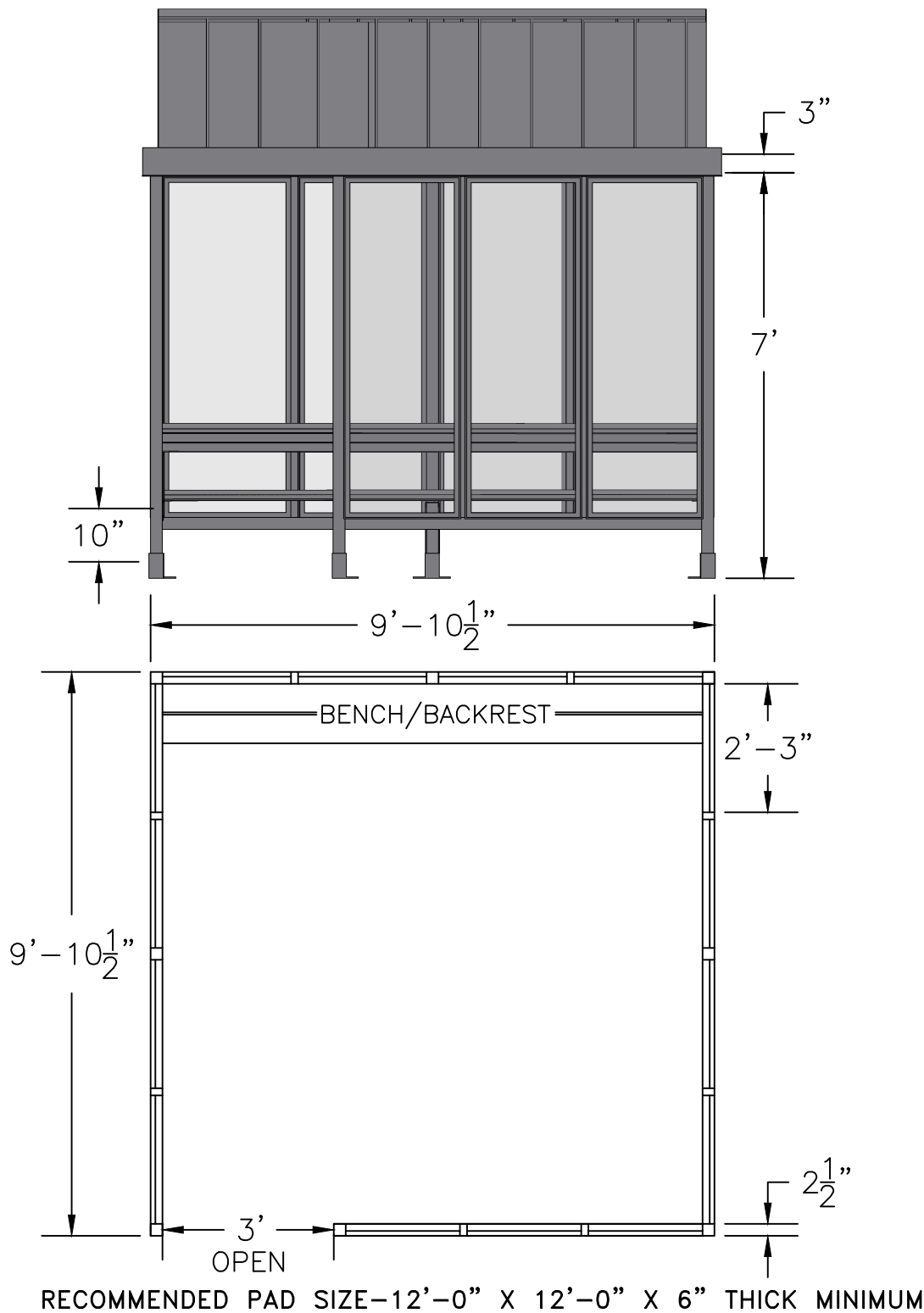


SCALE=1:24

MODEL #S4-4RG
ACCOMMODATES 10-12

Handi-Hut®

3 Grunwald St. Clifton, NJ
07013
Tel: 973-614-1800
www.handi-hut.com



SCALE=1:35

MODEL #S4-4RG
ACCOMMODATES 10-12

9'-10 1/2" X 9'-10 1/2" SS. GABLE ROOF
PASSENGER/SMOKING SHELTER
LEFT FRONT OPENING

ALUMINIUM: 6063-T52
AVAILABLE FINISHES: DARK BRONZE ANODIZED
CLEAR ANODIZED
CUSTOM COLOR POWDER-COAT
GLAZING: 1/4" CLEAR TEMPERED GLASS
ROOF PANELS: 11" ATAS DUTCH SEAM DECKING
BLACK KYNAR FINISH
BENCH/BACKREST: EXTRUDED ALUMINIUM

Handi-Hut®

3 Grunwald St. Clifton, NJ
07013
Tel: 973-614-1800
www.handi-hut.com