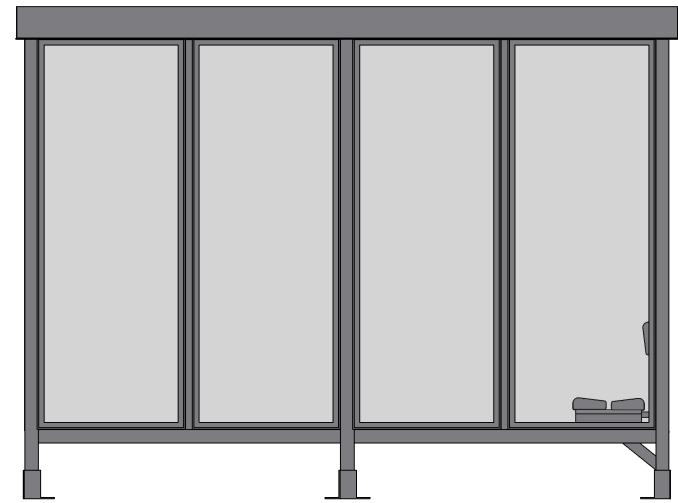
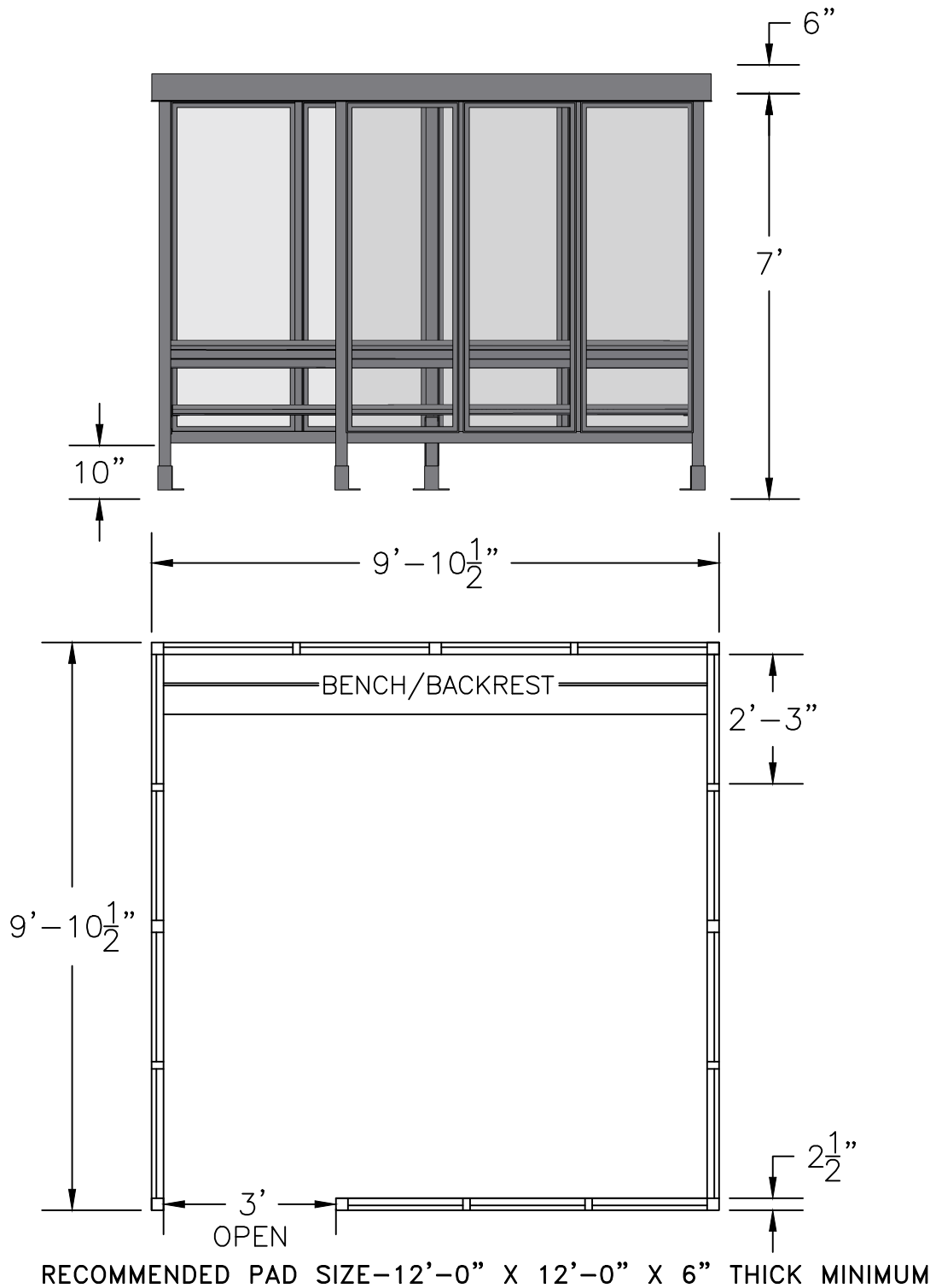


SCALE=1:22

MODEL #S4-4F
ACCOMMODATES 10-12

Handi-Hut[®]

3 Grunwald St. Clifton, NJ
07013
Tel: 973-614-1800
www.handi-hut.com



SCALE=1:35

MODEL #S4-4F
ACCOMMODATES 10-12

9'-10 1/2" X 9'-10 1/2" FLAT ROOF
PASSENGER/SMOKING SHELTER
LEFT FRONT OPENING

ALUMINIUM: 6063-T52
AVAILABLE FINISHES: DARK BRONZE ANODIZED
CLEAR ANODIZED
CUSTOM COLOR POWDER-COAT
GLAZING: 1/4" CLEAR TEMPERED GLASS
ROOF PANELS: 1/4" BLACK OR SILVER EMEDEX 300
PANELS
BENCH/BACKREST: EXTRUDED ALUMINIUM

Handi-Hut®

3 Grunwald St. Clifton, NJ
07013
Tel: 973-614-1800
www.handi-hut.com