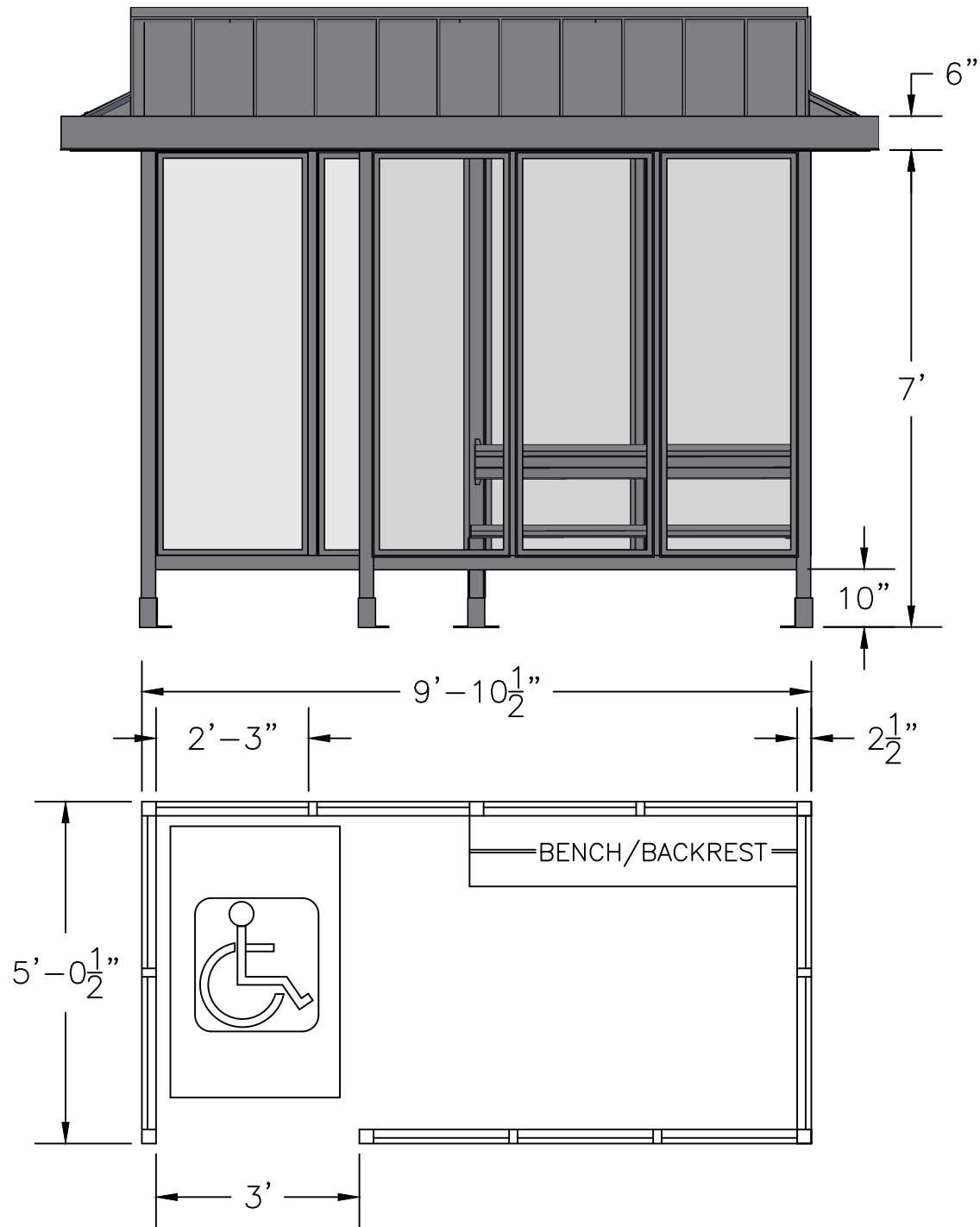


SCALE=1:20

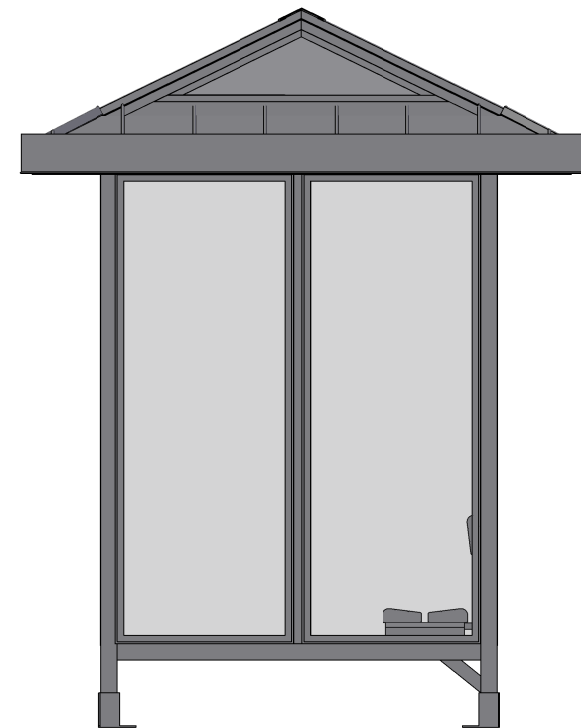
MODEL #S4-2H
ACCOMMODATES 5-6

Handi-Hut[®]

3 Grunwald St. Clifton, NJ
07013
Tel: 973-614-1800
www.handi-hut.com



RECOMMENDED PAD SIZE-12'-0" X 7'-0" X 6" THICK MINIMUM



SCALE=1:30

MODEL #S4-2H
ACCOMMODATES 5-6

9'-10 1/2" X 5'-0 1/2" HISTORICAL ROOF
PASSENGER/SMOKING SHELTER
LEFT FRONT OPENING

ALUMINIUM: 6063-T52
AVAILABLE FINISHES: DARK BRONZE ANODIZED
CLEAR ANODIZED
CUSTOM COLOR POWDER-COAT
GLAZING: 1/4" CLEAR TEMPERED GLASS
ROOF PANELS: 11" ATAS DUTCH SEAM DECKING
BLACK KYNAR FINISH
BENCH/BACKREST: EXTRUDED ALUMINIUM

Handi-Hut[®]

3 Grunwald St. Clifton, NJ
07013
Tel: 973-614-1800
www.handi-hut.com