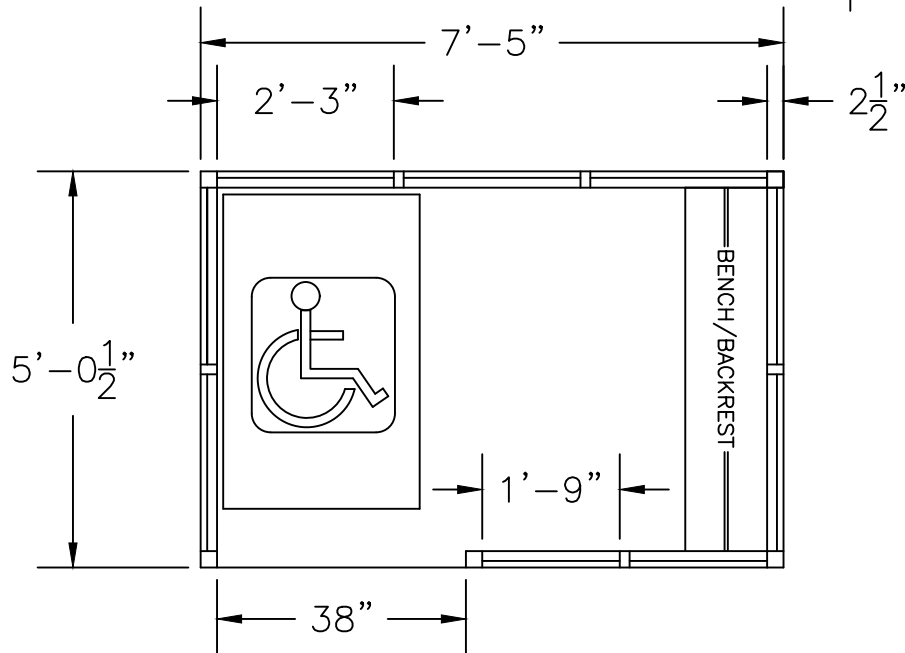
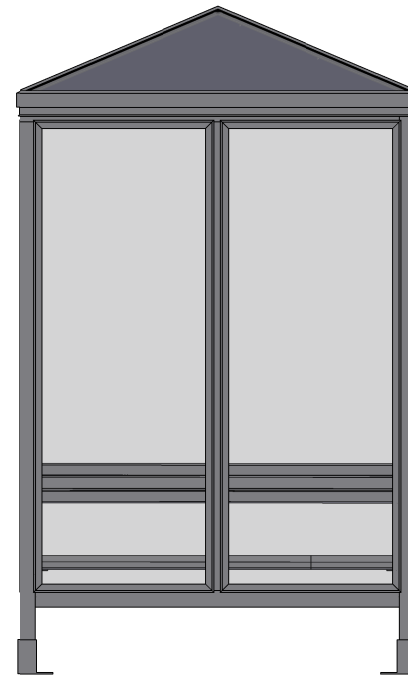
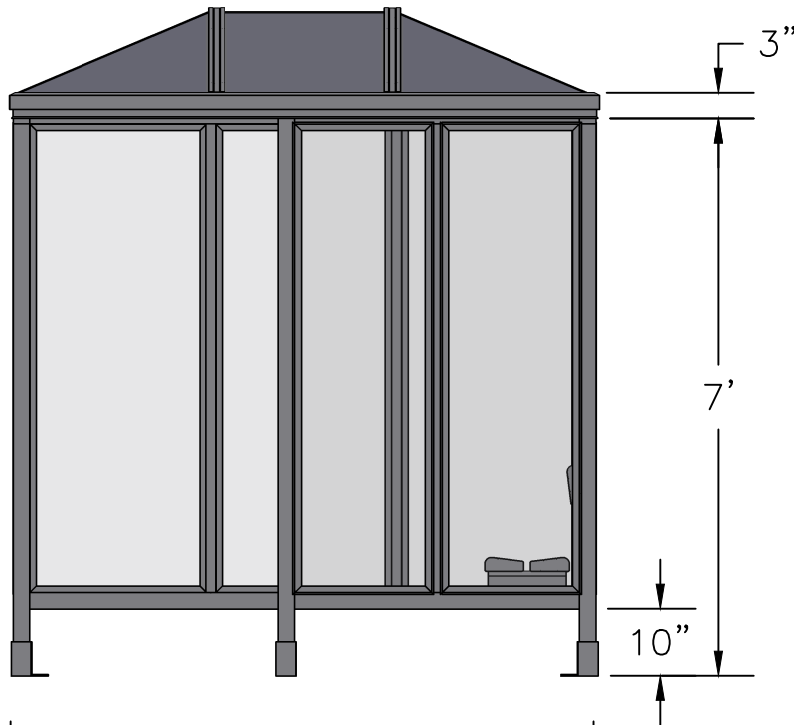


SCALE=1:20

MODEL #S3-2PH
ACCOMMODATES 3-4



3 Grunwald St. Clifton, NJ
07013
Tel: 973-614-1800
www.handi-hut.com



RECOMMENDED PAD SIZE-9'-6" X 7'-0" X 6" THICK MINIMUM

SCALE=1:30

MODEL #S3-2PH
ACCOMMODATES 3-4

7'-5" X 5'-0 1/2" POLY-HIP ROOF
PASSENGER/SMOKING SHELTER
FRONT LEFT OPENING

ALUMINIUM: 6063-T52
AVAILABLE FINISHES: DARK BRONZE ANODIZED
CLEAR ANODIZED
CUSTOM COLOR POWDER-COAT
GLAZING: 1/4" CLEAR TEMPERED GLASS
ROOF PANELS: 1/4" BRONZE OR CLEAR TWIN WALL
POLYCARBONATE
BENCH/BACKREST: EXTRUDED ALUMINIUM

Handi-Hut®
3 Grunwald St. Clifton, NJ
07013
Tel: 973-614-1800
www.handi-hut.com