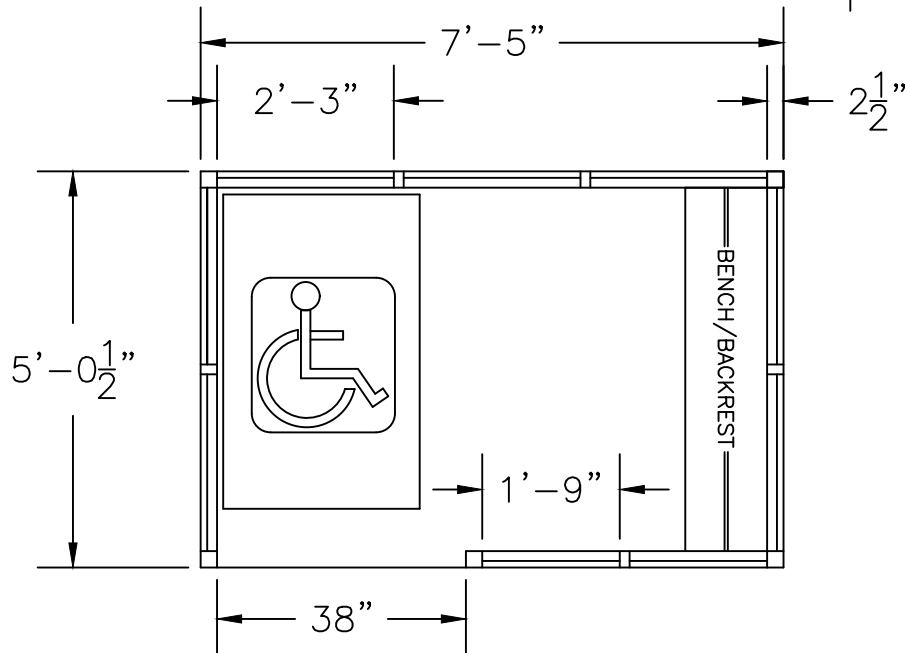
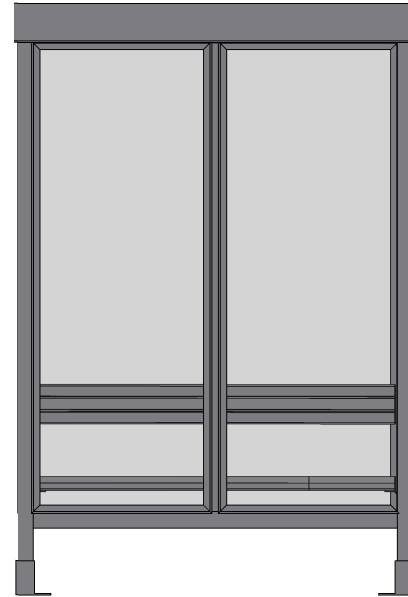
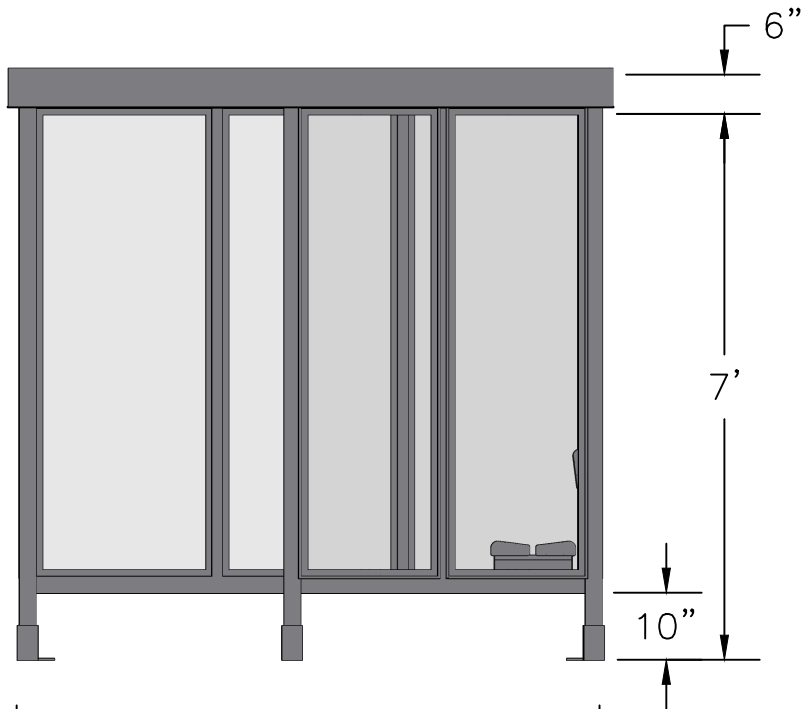


SCALE=1:20

MODEL #S3-2F
ACCOMMODATES 3-4


Handi-Hut[®]

3 Grunwald St. Clifton, NJ
07013
Tel: 973-614-1800
www.handi-hut.com



RECOMMENDED PAD SIZE-9'-6" X 7'-0" X 6" THICK MINIMUM

SCALE=1:30

<p>MODEL #S3-2F ACCOMMODATES 3-4</p>	
<p>7'-5" X 5'-0 1/2" FLAT ROOF PASSENGER/SMOKING SHELTER FRONT LEFT OPENING</p>	
<p>ALUMINIUM: 6063-T52 AVAILABLE FINISHES: DARK BRONZE ANODIZED CLEAR ANODIZED CUSTOM COLOR POWDER-COAT</p>	
<p>GLAZING: 1/4" CLEAR TEMPERED GLASS ROOF PANELS: 1/4" BLACK OR SILVER EMEDEX 300 PANELS BENCH/BACKREST: EXTRUDED ALUMINIUM</p>	
	<p>3 Grunwald St. Clifton, NJ 07013 Tel: 973-614-1800 www.handi-hut.com</p>