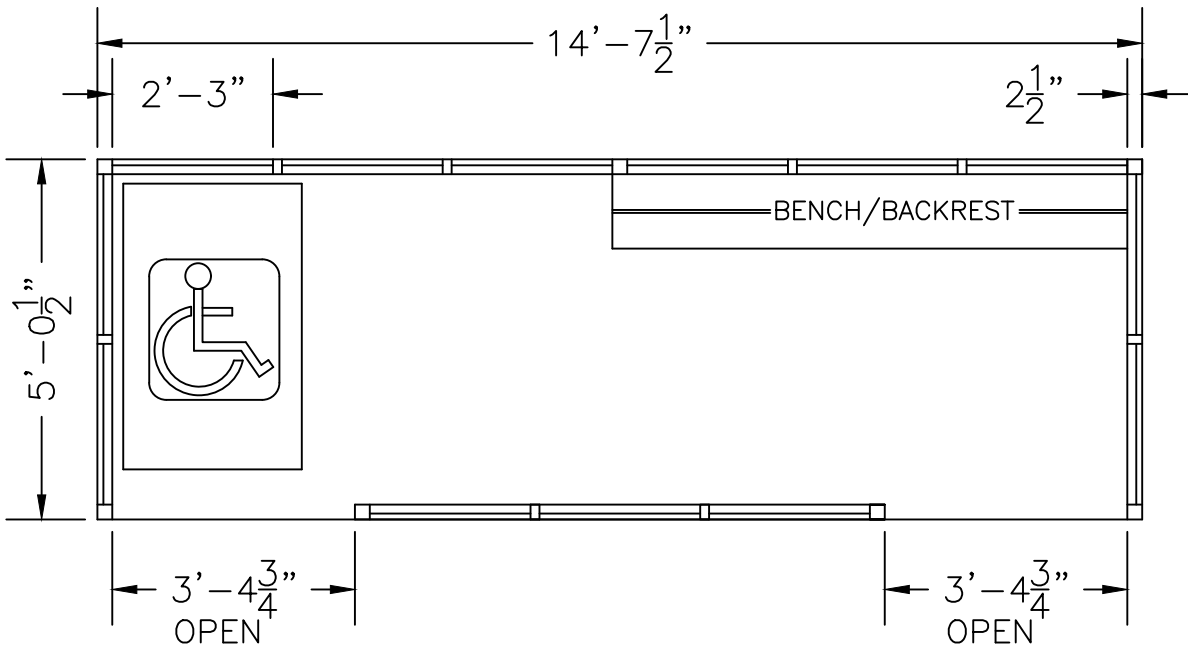
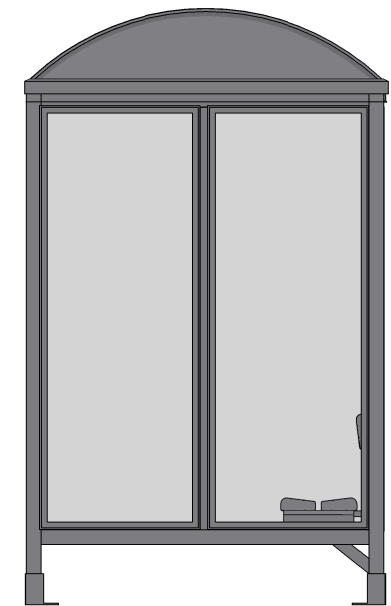
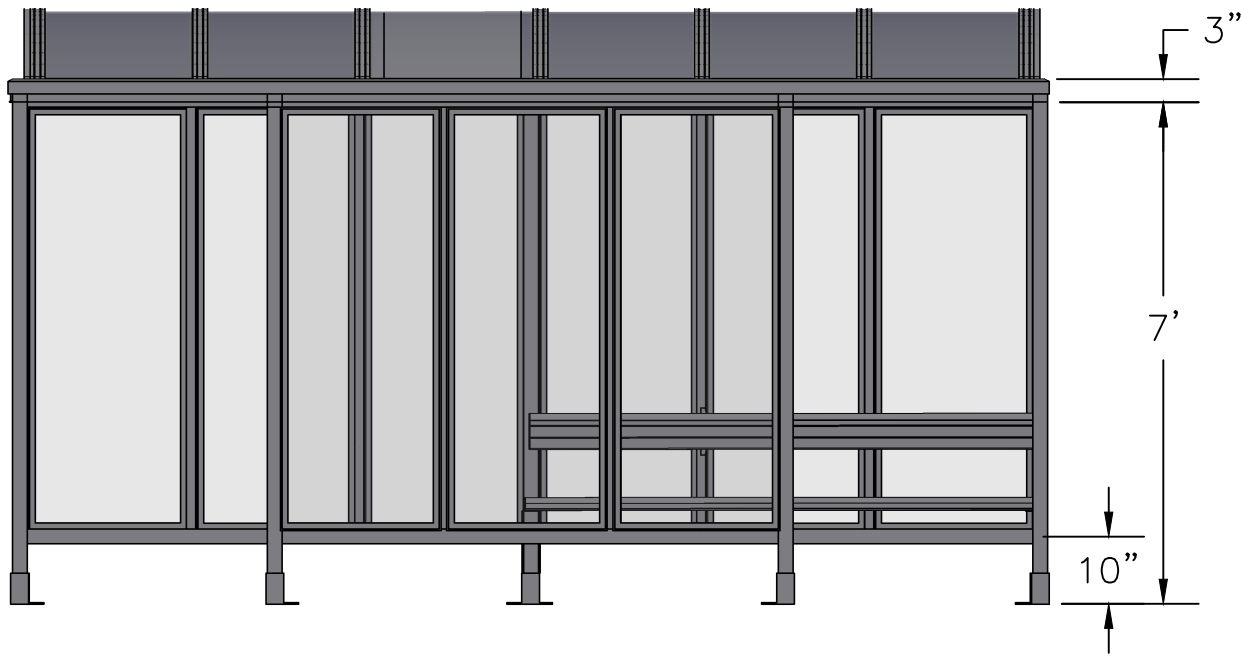


SCALE=1:25

MODEL #6-2WSB
 ACCOMMODATES 8-9

Handi-Hut[®]

3 Grunwald St. Clifton, NJ
 07013
 Tel: 973-614-1800
 www.handi-hut.com



RECOMMENDED PAD SIZE-16'-6" X 7'-0" X 6" THICK MINIMUM

SCALE=1:33

<p>MODEL #6-2WSB ACCOMMODATES 8-9</p>	
<p>14'-7 1/2" X 5'-0 1/2" BARREL ROOF PASSENGER/SMOKING SHELTER LEFT & RIGHT FRONT OPENINGS</p>	
<p>ALUMINIUM: 6063-T52 AVAILABLE FINISHES: DARK BRONZE ANODIZED CLEAR ANODIZED CUSTOM COLOR POWDER-COAT GLAZING: 1/4" CLEAR TEMPERED GLASS ROOF PANELS: 1/4" BRONZE OR CLEAR TWIN WALL POLYCARBONATE BENCH/BACKREST: EXTRUDED ALUMINIUM</p>	
	<p>3 Grunwald St. Clifton, NJ 07013 Tel: 973-614-1800 www.handi-hut.com</p>