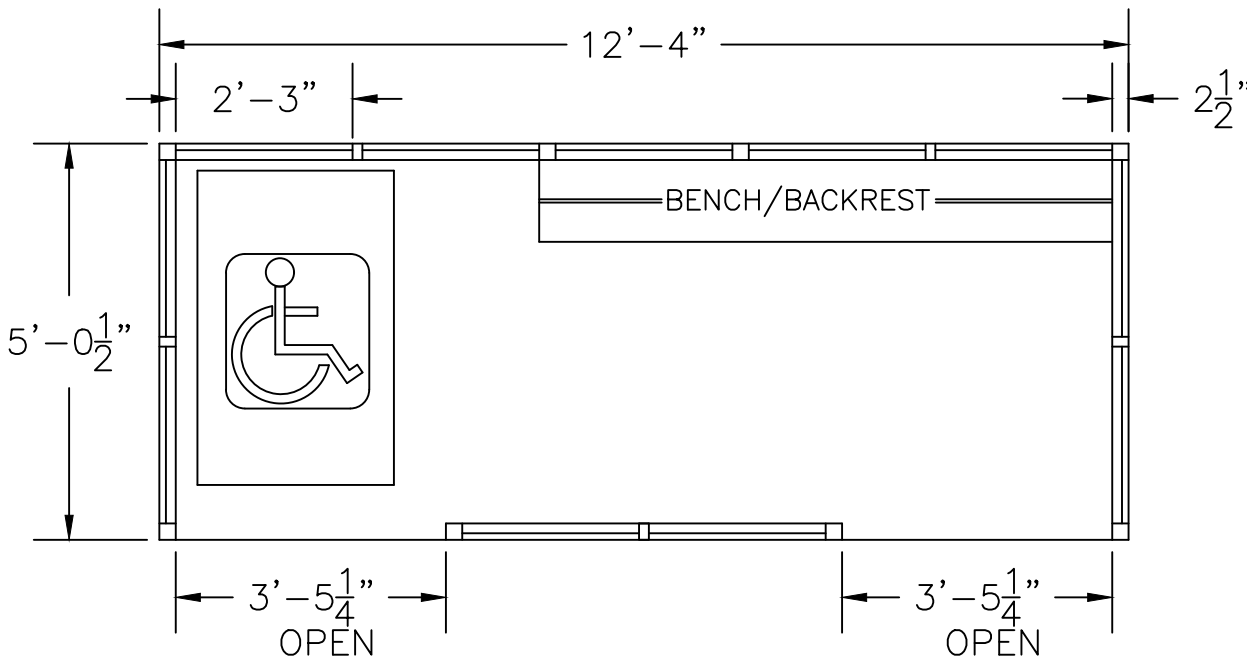
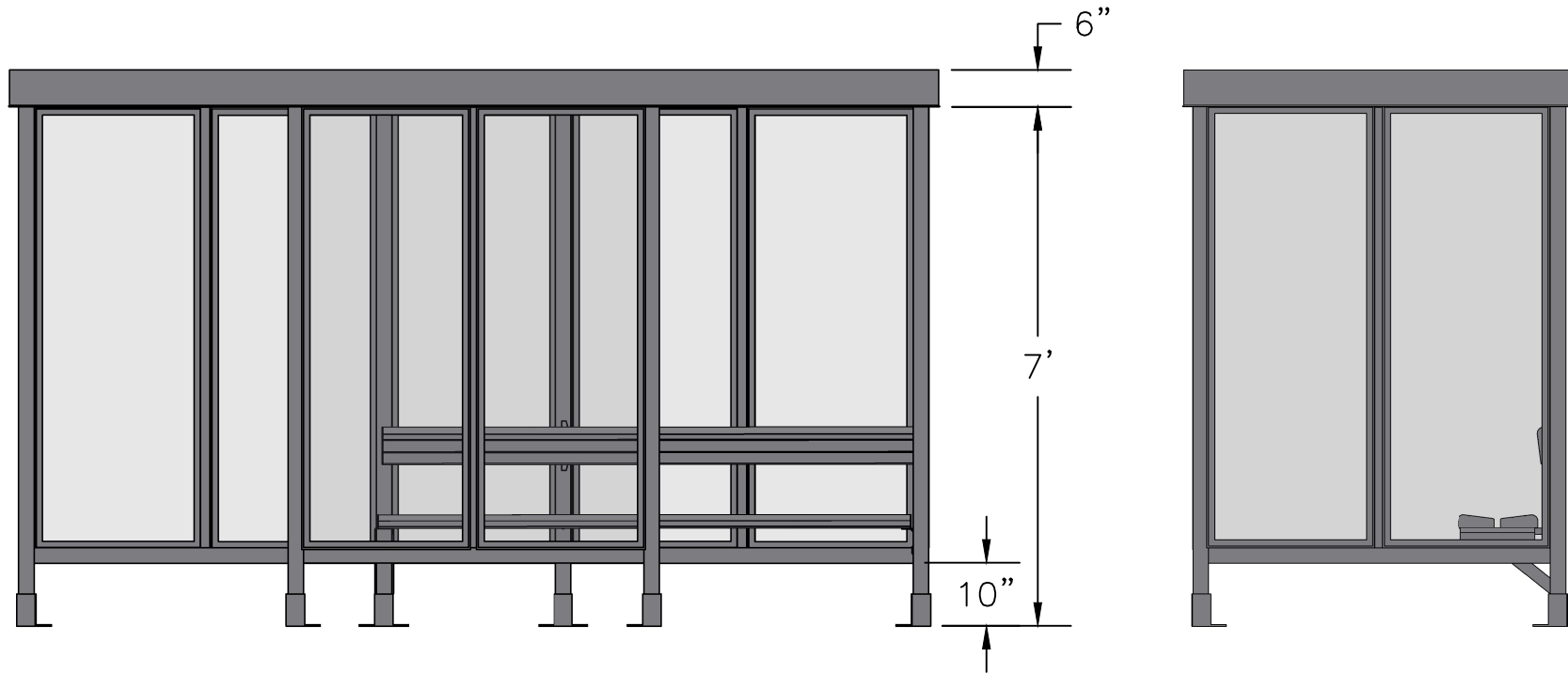


SCALE=1:20

MODEL #5-2WSF
ACCOMMODATES 6-7

Handi-Hut®

3 Grunwald St. Clifton, NJ
07013
Tel: 973-614-1800
www.handi-hut.com



RECOMMENDED PAD SIZE-14'-0" X 7'-0" X 6" THICK MINIMUM

SCALE=1:30

MODEL #5-2WSF
ACCOMMODATES 6-7

12'-4" X 5'-0 1/2" FLAT ROOF
PASSENGER/SMOKING SHELTER
LEFT & RIGHT FRONT OPENINGS

ALUMINIUM: 6063-T52
AVAILABLE FINISHES: DARK BRONZE ANODIZED
CLEAR ANODIZED
CUSTOM COLOR POWDER-COAT
GLAZING: 1/4" CLEAR TEMPERED GLASS
ROOF PANELS: 1/4" BLACK OR SILVER EMEDEX 300
PANELS
BENCH/BACKREST: EXTRUDED ALUMINIUM



3 Grunwald St. Clifton, NJ
07013
Tel: 973-614-1800
www.handi-hut.com