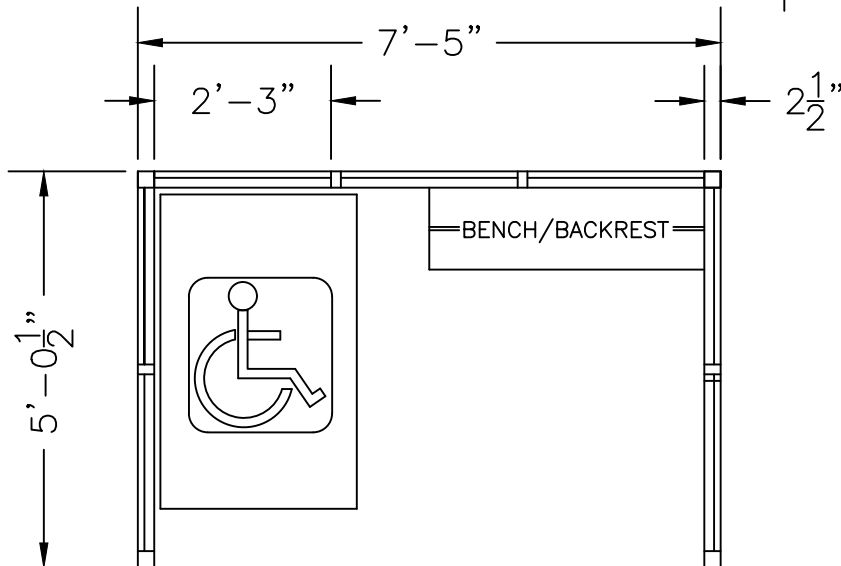
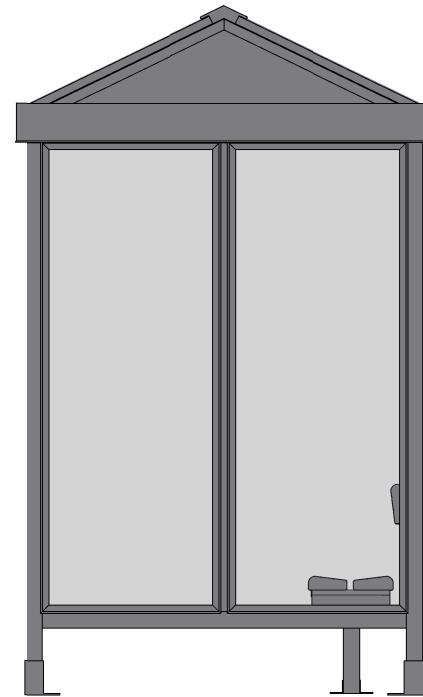
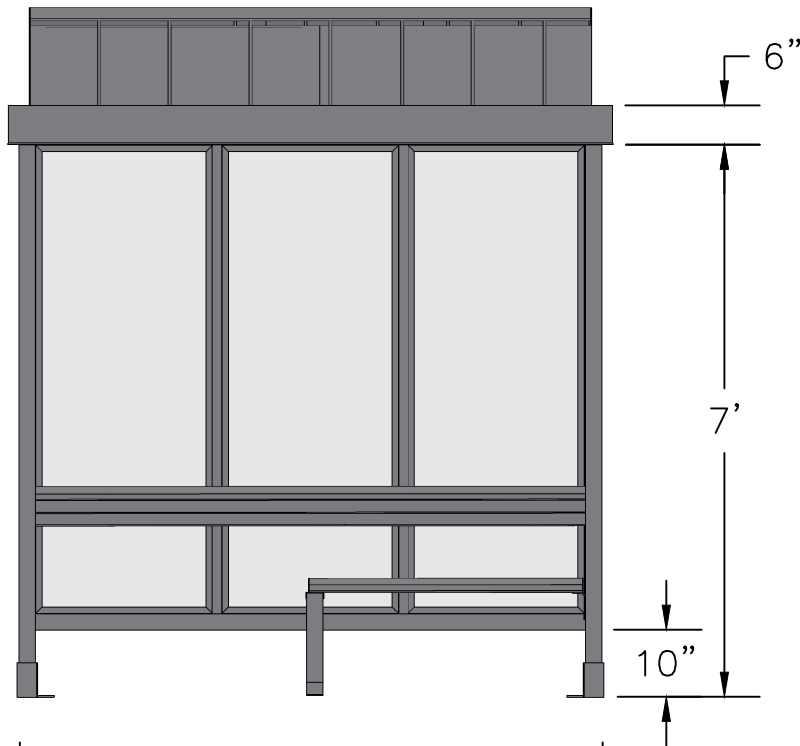


SCALE=1:20

MODEL #3-2RG  
ACCOMMODATES 3-4

**Handi-Hut**<sup>®</sup>

3 Grunwald St. Clifton, NJ  
07013  
Tel: 973-614-1800  
[www.handi-hut.com](http://www.handi-hut.com)



RECOMMENDED PAD SIZE-9'-6" X 7'-0" X 6" THICK MINIMUM

SCALE=1:30

MODEL #3-2RG  
ACCOMMODATES 3-4

7'-5" X 5'-0 1/2" STANDING SEAM GABLE ROOF  
PASSENGER/SMOKING SHELTER  
OPEN FRONT

ALUMINIUM: 6063-T52  
AVAILABLE FINISHES: DARK BRONZE ANODIZED  
CLEAR ANODIZED  
CUSTOM COLOR POWDER-COAT  
GLAZING: 1/4" CLEAR TEMPERED GLASS  
ROOF PANELS: 11" ATAS DUTCH SEAM DECKING  
BLACK KYNAR FINISH  
BENCH/BACKREST: EXTRUDED ALUMINIUM



3 Grunwald St. Clifton, NJ  
07013  
Tel: 973-614-1800  
www.handi-hut.com