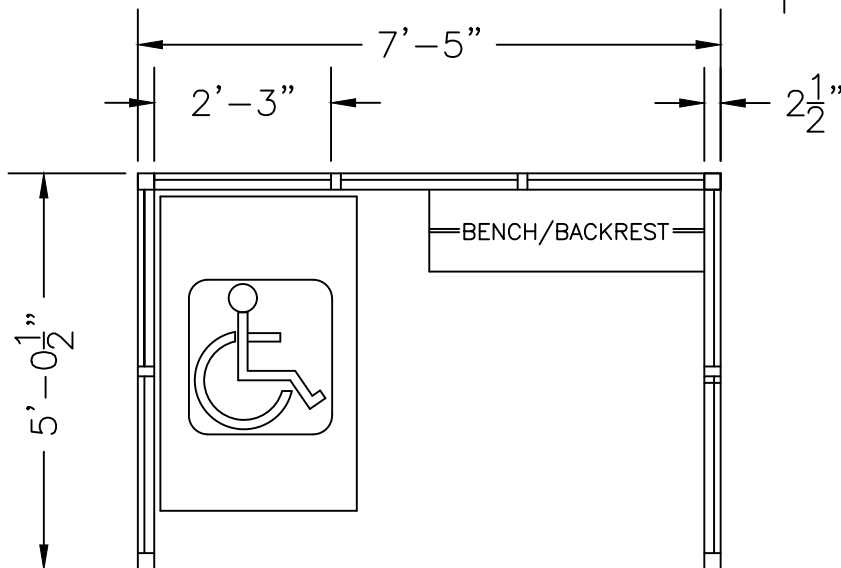
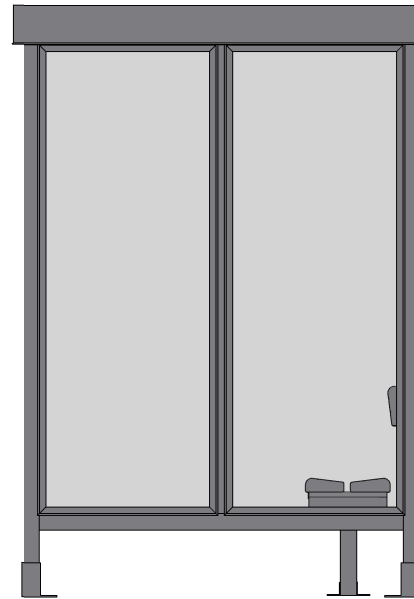
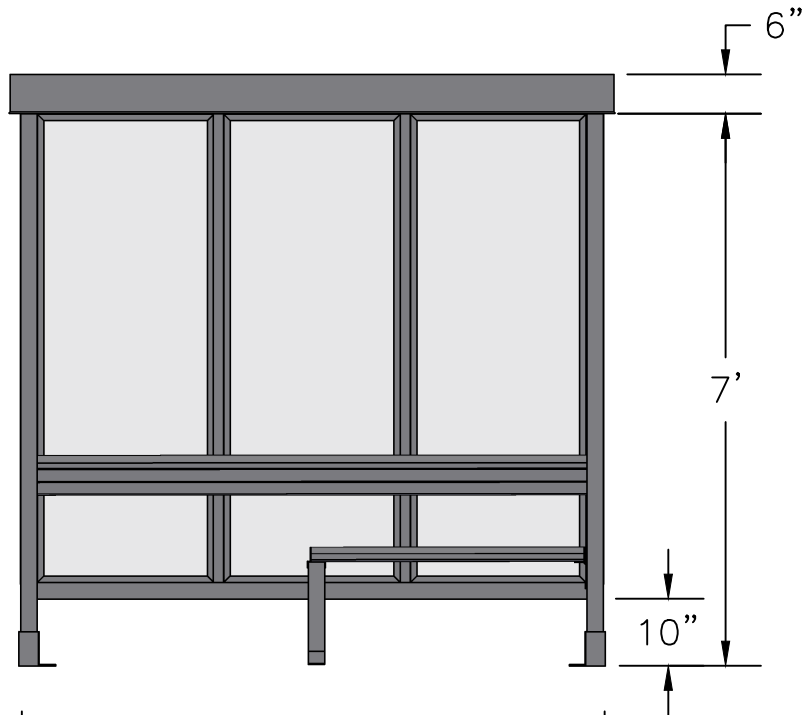


MODEL #3-2F  
ACCOMMODATES 3-4



3 Grunwald St. Clifton, NJ  
07013  
Tel: 973-614-1800  
www.handi-hut.com



RECOMMENDED PAD SIZE—9'-6" X 7'-0" X 6" THICK MINIMUM

SCALE=1:30

MODEL #3-2F  
ACCOMMODATES 3-4

7'-5" X 5'-0 1/2" FLAT ROOF  
PASSENGER/SMOKING SHELTER  
OPEN FRONT

ALUMINIUM: 6063-T52  
AVAILABLE FINISHES: DARK BRONZE ANODIZED  
CLEAR ANODIZED  
CUSTOM COLOR POWDER-COAT  
GLAZING: 1/4" CLEAR TEMPERED GLASS  
ROOF PANELS: 1/4" BLACK OR SILVER EMEDEX 300  
PANELS  
BENCH/BACKREST: EXTRUDED ALUMINIUM

**Handi-Hut®**

3 Grunwald St. Clifton, NJ  
07013  
Tel: 973-614-1800  
www.handi-hut.com