

MAXRACK STAND MODEL:

SINGLE-SIDED

- MRS-1-4 (62.5" L X 30" W X 83.84" H)
- MRS-1-5 (77.5" L X 30" W X 83.84" H)
- MRS-1-6 (92.5" L X 30" W X 83.84" H)

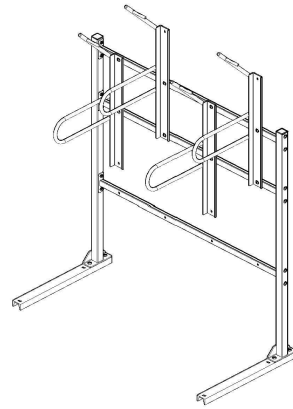
DOUBLE SIDED

- MRS-2-8 (62.5" L X 30" W X 83.84" H)
- MRS-2-10 (77.5" L X 30" W X 83.84" H)
- MRS-2-12 (92.5" L X 30" W X 83.84" H)

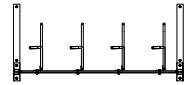
SPECIFICATIONS

- POSTS:** 2" X 2" X 3/16" STEEL TUBE
CROSSBARS: 3/4" X 1-1/2" 11 GAUGE STEEL TUBE
WALL SAVER CROSSBAR: STANDARD ON 2-SIDED MODELS
LOCK BARS: 3/4" DIA. SOLID STEEL ROD
MOUNTING: SURFACE MOUNT
FINISH: POWDER COATED BLACK
NOTE: 8' MIN. CEILING HEIGHT
RACK SPACING: 15"

* THIS UNIT OFFERS A MODULAR MODEL
 (ADD A "M" AFTER THE MODEL # FOR MODULAR UNIT)
 (DEDUCT 2" FROM LENGTH FOR A MODULAR UNIT)



ISOMETRIC VIEW



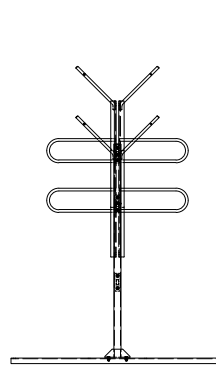
4 BIKE RACK



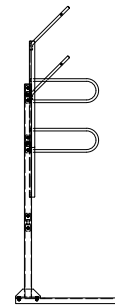
5 BIKE RACK



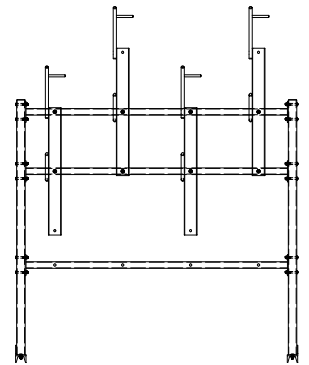
6 BIKE RACK



SIDE ELEVATION
2-SIDED



SIDE ELEVATION
1-SIDED



FRONT ELEVATION
4 BIKE RACK

NOTES:

1. SEE MANUFACTURER FOR COLOR OPTIONS. (CUSTOM COLORS AVAILABLE)
2. INSTALLATION TO BE COMPLETED IN ACCORDANCE WITH MANUFACTURER'S SPECIFICATIONS.
3. DO NOT SCALE DRAWING.
4. THIS DRAWING IS INTENDED FOR USE BY ARCHITECTS, ENGINEERS, CONTRACTORS, CONSULTANTS AND DESIGN PROFESSIONALS FOR PLANNING PURPOSES ONLY. THIS DRAWING MAY NOT BE USED FOR CONSTRUCTION.
5. ALL INFORMATION CONTAINED HEREIN WAS CURRENT AT THE TIME OF DEVELOPMENT BUT MUST BE REVIEWED AND APPROVED BY THE PRODUCT MANUFACTURER TO BE CONSIDERED ACCURATE.
6. CONTRACTOR'S NOTE: FOR PRODUCT AND COMPANY INFORMATION VISIT www.CADdetails.com/info AND ENTER REFERENCE NUMBER 5001-013.

